

FEATURES

- LOW Cost, High Quality
- Compact Size, Light Weight
- High Performance
- Wide Operation Temperature Range
- Octave and Multi-octave Bands

APPLICATIONS

- Load isolation
- Module integration



SPECIFICATIONS@25°C:

Part Number	Frequency Range (GHz)	Band Width (MHz)	Insertion Loss (dB.Max)	Isolation (dB.Min)	VSWR (Max)	Operating Temperature (°c)	Power Handling (W.FWD)	Case Type
SIS001002G	0.14-0.24	5	0.6	18	1.3	0~+60	100 Load	DI33
SIS002004G	0.2-0.4	20	0.5	18	1.3	0~+60	100 Load	DI34
SIS003005G	0.35-0.55	20	0.4	20	1.25	-15~+60	10 Load	DI36
SIS003005GH	0.35-0.55	20	0.4	20	1.25	-15~+60	100 Load	DI35
SIS0038050A	0.38-0.43	Full	1	40	1.25	-15~+60	10	DI29
SIS0049D	0.47-0.512	Full	0.5	20	1.25	-15~+60	250	DI35
SIS005010G	0.5-1	50	0.4	23	1.2	-30~+70	10 Load	DI38
SIS005010GH	0.5-1	50	0.4	23	1.2	-30~+70	100 Load	DI37
SIS008022G	0.8-2.2	70	0.4	23	1.2	-40~+85	10 Load	DI40
SIS008022GH	0.8-2.2	70	0.4	23	1.2	-40~+85	100 Load	DI39
SIS008022GB	0.8-2.2	140	0.4	23	1.2	-40~+85	10 Load	DI41
SIS008022GBH	0.8-2.2	140	0.4	23	1.2	-40~+85	100 Load	DI18
SIS0869025A	0.869-0.894	Full	0.35	23	1.2	-15~+60	30	DI15
SIS0094D	0.915-0.964	Full	0.3	22	1.2	-15~+60	150	DI18
SIS0945015A	0.945-0.96	Full	0.35	23	1.2	-15~+60	10	DI15
SIS01045M	1.01-1.08	Full	0.3	23	1.2	-15~+60	200	DI18
SIS011025G	1.1-2.5	70	0.3	23	1.2	-40~+85	10 Load	DI56
SIS012038G	1.2-3.8	130	0.4	23	1.2	-40~+85	10 Load	DI46
SIS012038GH	1.2-3.8	130	0.4	23	1.2	-40~+85	100 Load	DI42
SIS012013A	1.25-1.35	Full	0.3	23	1.2	-15~+60	150	DI42
SIS0150D	1.4-1.6	Full	0.4	20	1.25	-15~+60	150	DI42
SIS016014F	1.49625-1.65375	Full	0.5	20	1.2	-15~+60	100mW	DI16
SIS0518D	1.5-1.6	Full	0.35	20	1.25	-15~+60	150	DI18



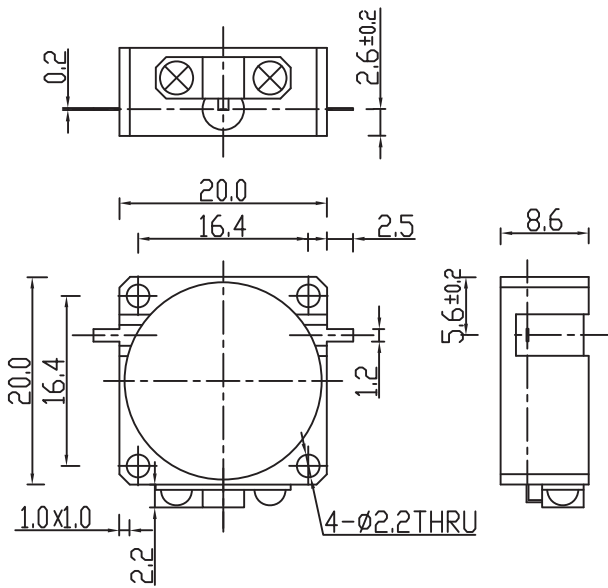
DROP-IN ISOLATOR

Part Number	Frequency Range (GHz)	Band Width (MHz)	Insertion Loss (dB.Max)	Isolation (dB.Min)	VSWR (Max)	Operating Temperature (°c)	Power Handling (W.FWD)	Case Type
SIS018030G	1.8-3	60	0.5	18	1.3	-40~+85	10 Load	DI58
SIS018038G	1.8-3.8	100	0.5	20	1.25	-40~+85	10 Load	DI57
SIS1805075A	1.805-1.88	Full	0.3	23	1.2	-15~+60	30	DI27
SIS1930060A	1.93-1.99	Full	0.3	23	1.2	-15~+60	100	DI18
SIS020040G	2-5	500	0.5	20	1.3	-30~+70	10 Load	DI59
SIS020025A	2-2.5	Full	0.6	18	1.3	-15~+60	10	DI26
SIS021022A	2.1-2.2	Full	0.35	20	1.25	-15~+60	30	DI27
SIS021027F	2.1-2.7	Full	1.2	34	1.35	-15~+60	10 Load	DI53
SIS02150200A	2.15-2.35	Full	0.3	20	1.2	-15~+60	10	DI46
SIS022023A	2.2-2.3	Full	0.4	23	1.2	-15~+60	25	DI16
SIS0270D	2.5-2.9	Full	0.35	20	1.25	-15~+60	125	DI42
SIS030070G	3-7	200	0.4	20	1.25	-40~+70	10 Load	DI43
SIS030033F	3-3.3	Full	0.35	23	1.2	-30~+70	10	DI21
SIS030300A	3.05-3.35	Full	0.3(typ)	23	1.2	-15~+60	10	DI21
SIS030035F	3-3.5	Full	0.4	20	1.25	-15~+60	60dBm	DI53
SIS035030F	3-3.5	Full	0.5	18	1.3	-15~+60	5 REV	DI46
SIS030060A	3.05-3.35	Full	0.3	23	1.2	-15~+60	10	DI21
SIS031034F	3.1-3.4	Full	0.3	23	1.2	-15~+60	30	DI21
SIS03500M	3.4-3.6	Full	0.4	20	1.25	-15~+60	5	DI41
SIS035080G	3.5-8	450	0.4	23	1.2	-40~+70	10 Load	DI44
SIS040050G	4-5	100	0.4	20	1.25	-40~+85	10 Load	DI60
SIS04300M	4.2-4.4	Full	0.4	20	1.25	-15~+60	5 Load	DI43
SIS045165G	4.5-16.5	600	0.4	20	1.25	-40~+85	10 Load	DI61
SIS0575D	5-6.5	Full	0.6	17	1.25	-15~+60	25	DI44
SIS054059A	5.5-5.4	Full	0.3	23	1.2	-15~+60	20	DI28
SIS5650300A	5.65-5.95	Full	0.3	25	1.2	-15~+60	10	DI25
SIS058065F	5.8-6.5	Full	0.4	20	1.25	-15~+60	25	DI28
SIS060065F	6-6.5	Full	0.5	18	1.25	-15~+60	10	DC50
SIS060080A	6-8	Full	0.5	20	1.25	-15~+60	20	DI31
SIS060085F	6-8.5	Full	0.6	18	1.3	-15~+60	/	DI31
SIS060170G	6-17	550	0.4	20	1.25	-40~+85	10 Load	DI62
SIS060180F	6-18	Full	1.5	10	1.9	-15~+60	10	DI20
SIS070180G	7-18	1100	0.4	20	1.25	-40~+70	10 Load	DI17

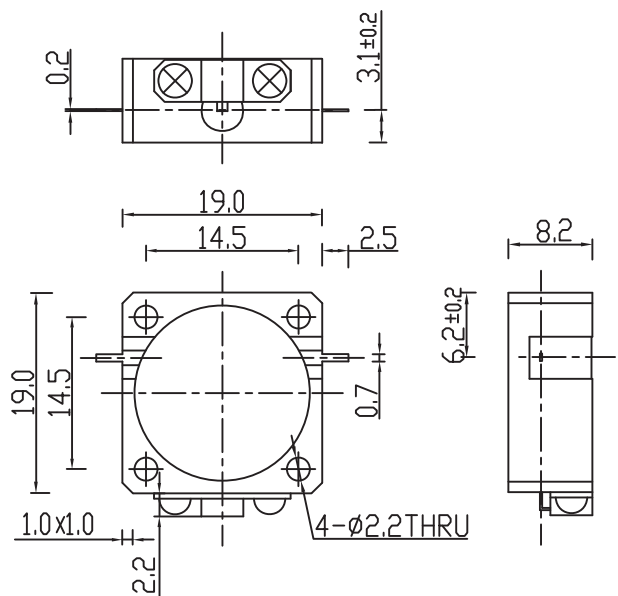


DROP-IN ISOLATOR

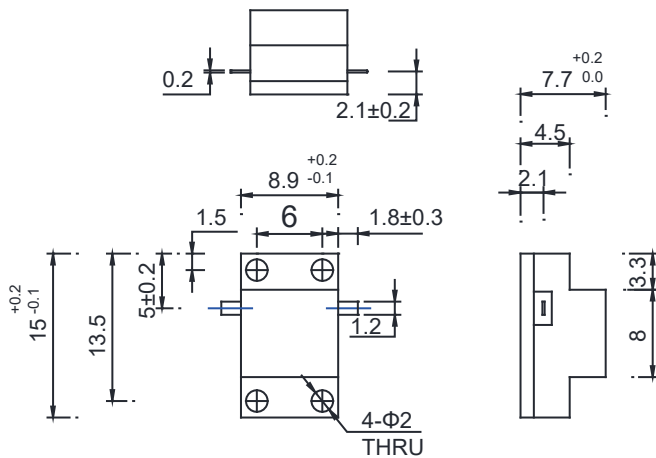
Part Number	Frequency Range (GHz)	Band Width (MHz)	Insertion Loss (dB.Max)	Isolation (dB.Min)	VSWR (Max)	Operating Temperature (°c)	Power Handling (W.FWD)	Case Type
SIS077087F	7.7-8.7	Full	0.4	23	1.2	-15~+60	5	DI17
SIS0815D	7.8-8.5	Full	0.4	20	1.25	-15~+60	35	DI17
SIS078085F	7.8-8.5	Full	0.4	20	1.25	-15~+60	25	DI17
SIS078085A	7.8-8.5	Full	0.4	20	1.25	-15~+60	30	Y
SIS080120F	8-12	Full	0.6	18	1.3	-15~+60	10	DI17
SIS083086F	8.3-8.6	Full	0.4	23	1.2	-15~+60	10	DI17
SIS1000D	8.5-11.5	Full	0.5	20	1.25	-15~+60	30	DI22
SIS087104A	8.7-10.4	Full	0.4	20	1.25	-15~+60	10	DI17
SIS0935D	9-9.7	Full	0.35	20	1.25	-15~+60	35	DI17
SIS092100F	9.2-10	Full	0.5	20	1.25	-15~+60	20	DI52
SIS095127F	9.5-12.75	Full	0.5	20	1.25	-15~+60	25	DI19
SIS1070D	9.7-11.7	Full	0.4	20	1.25	-15~+60	30	DI17
SIS100133A	10-13.3	Full	0.6	18	1.3	-15~+60	5	DI17
SIS120180F	12-18	Full	0.6	17	1.35	-15~+60	10	DI17
SIS122127F	12.2-12.7	Full	0.3	23	1.2	-15~+60	2	DI17
SIS13050M	12.6-13.5	Full	0.4	20	1.25	-15~+60	5 Load	DI17
SIS14150M	13.6-14.7	Full	0.4	20	1.25	-15~+60	5	DI17
SIS140145F	14-14.5	Full	0.4	20	1.25	-15~+60	25	DI17
SIS140150F	14-15	Full	0.3	20	1.25	-15~+60	2	DI17
SIS140180G	14-18	600	0.4	20	1.25	-40~+85	10 Load	DI63
SIS145197F	14.5-19.7	Full	0.6	18	1.2	-15~+60	20	DI32
SIS145200F	14.5-20	Full	0.65	17	1.2	-15~+60	20	DI32
SIS1710D	14.5-19.7	Full	0.6	18	1.35	-15~+60	20	DI32
SIS180245G	18-24.8	650	0.6	18	1.35	-40~+70	10 Load	DI32



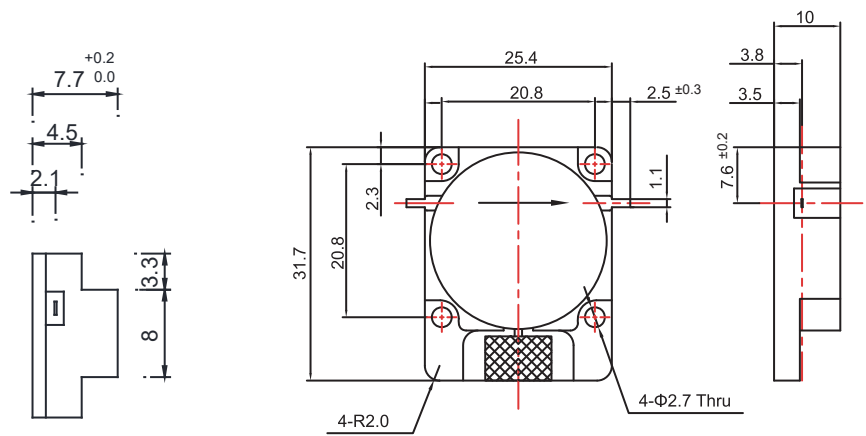
DI15



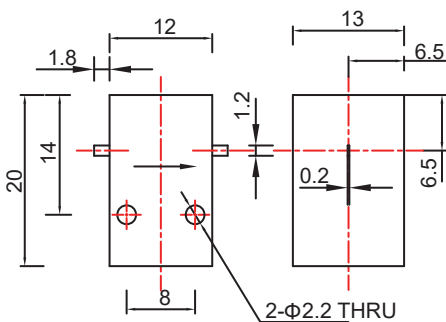
DI16



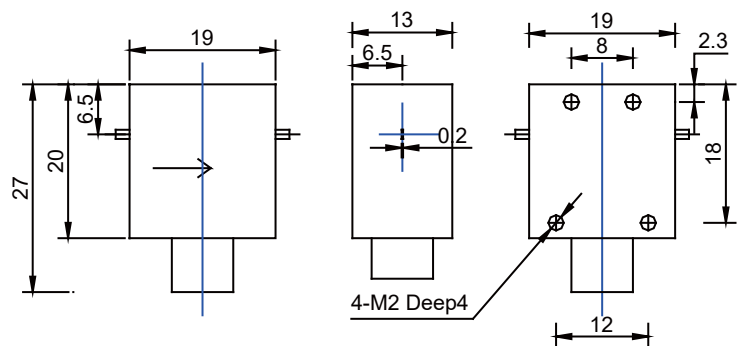
DI17



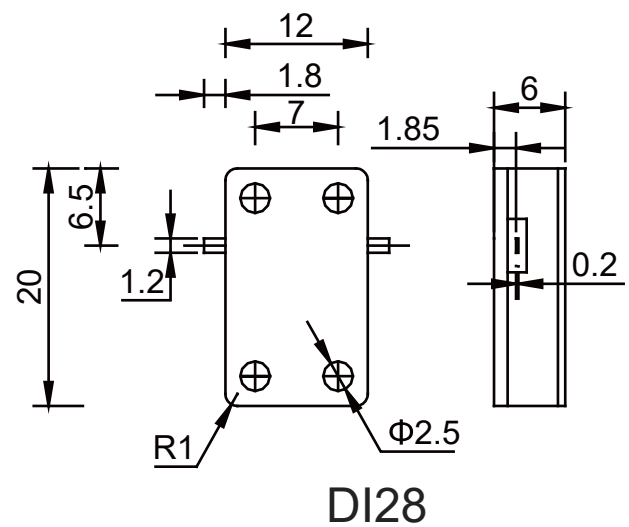
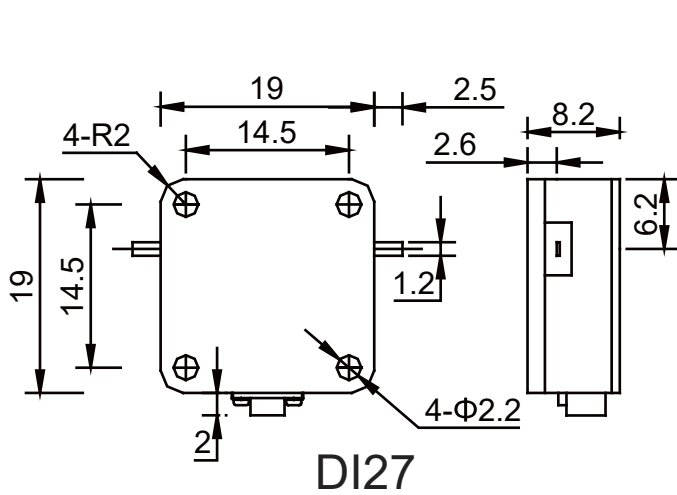
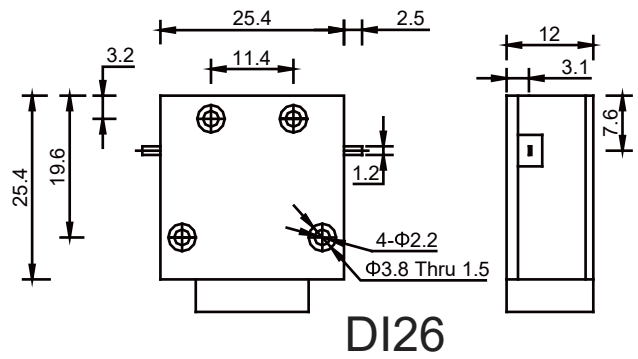
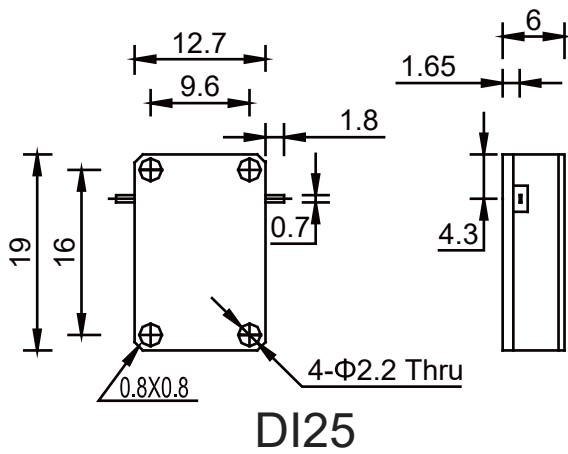
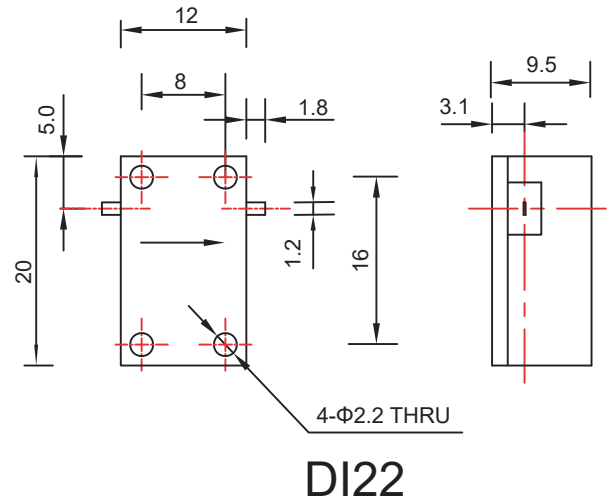
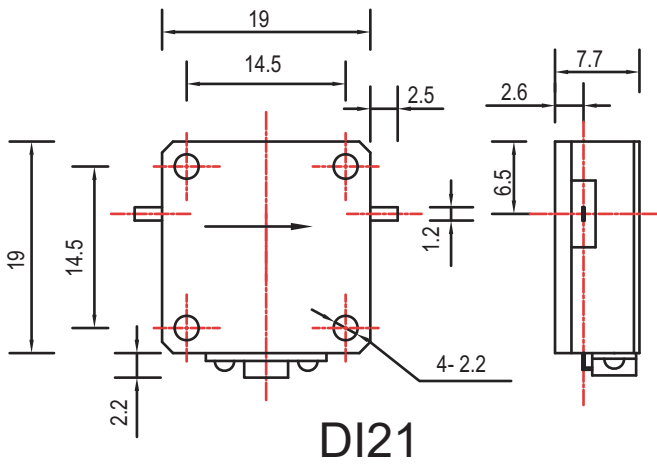
DI18

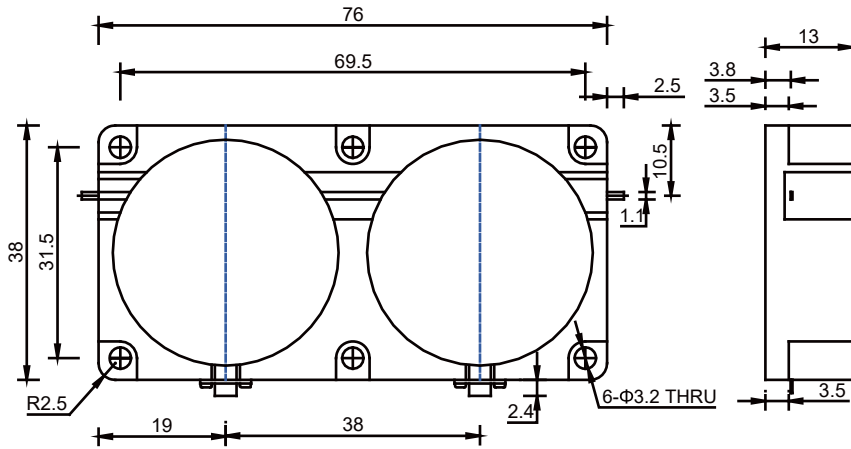


DI19

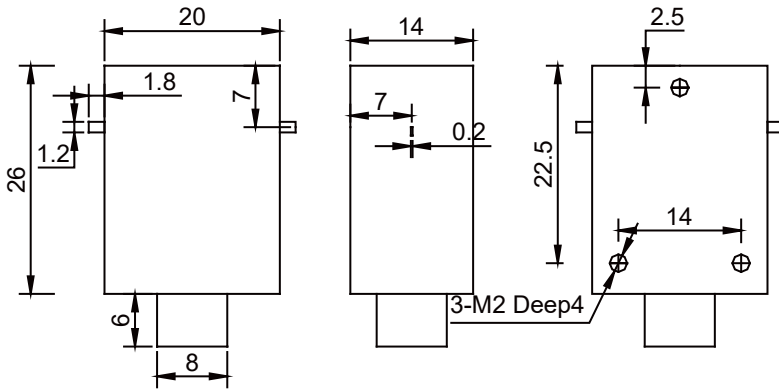


DI20

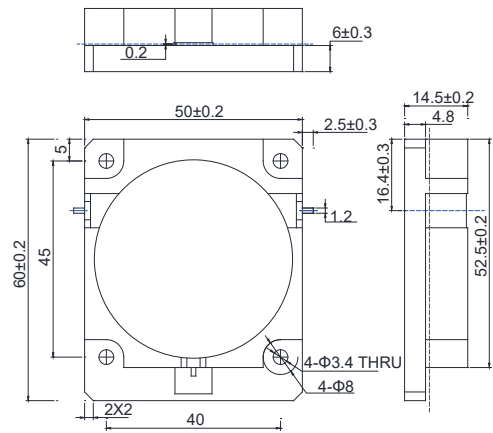




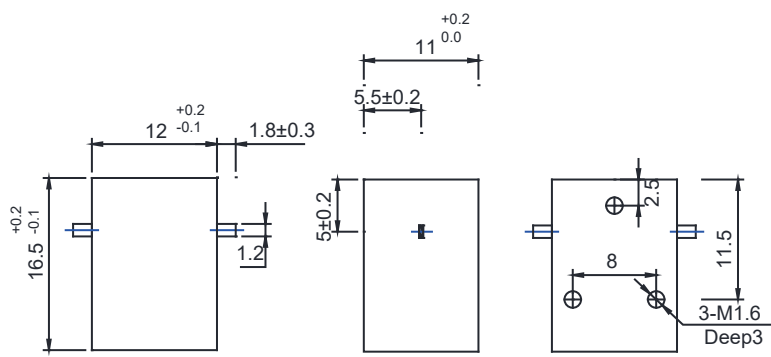
DI29



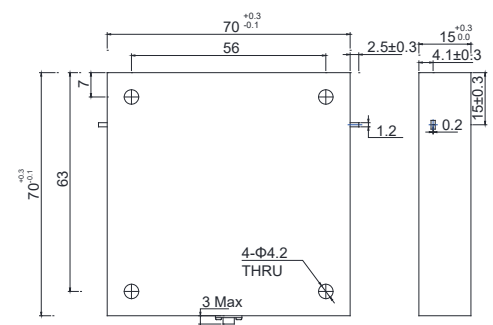
DI31



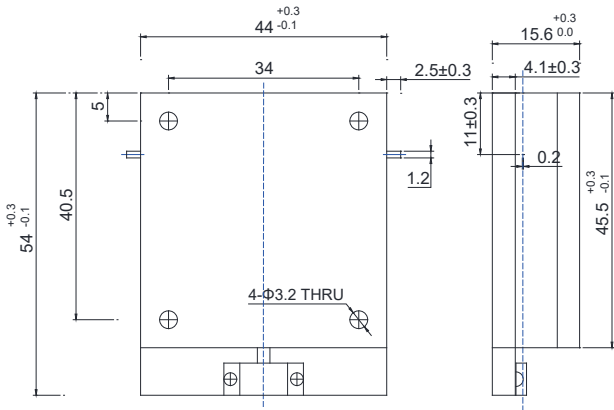
DI34



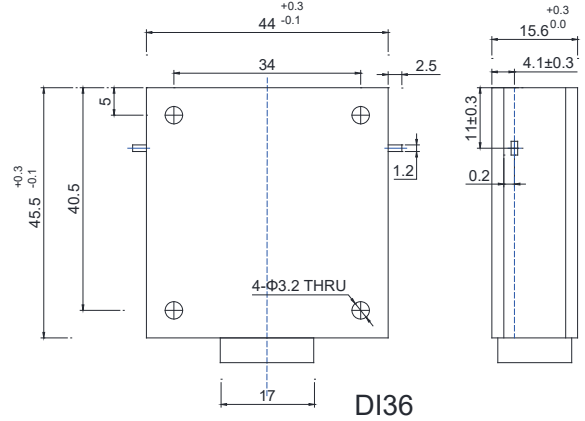
DI32



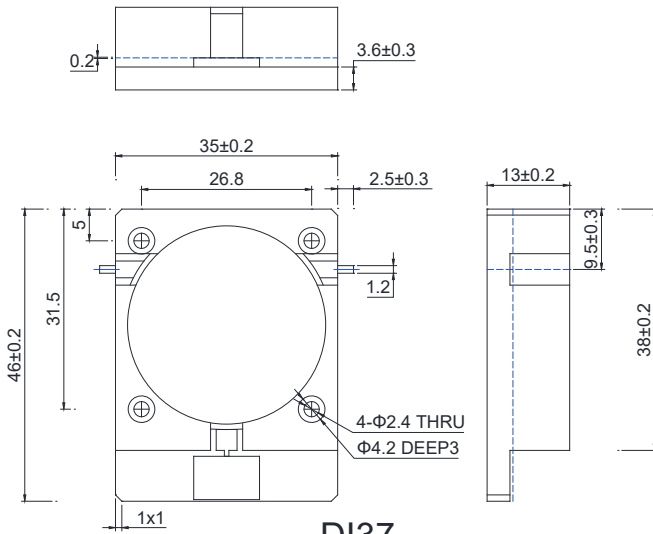
DI33



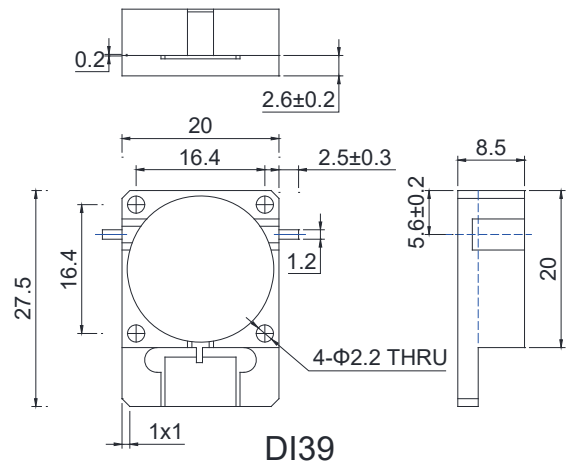
DI35



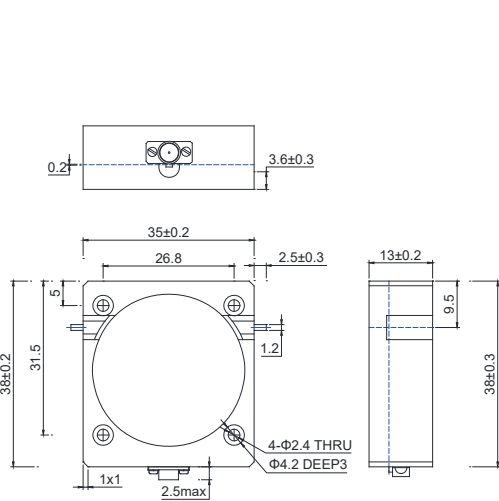
DI36



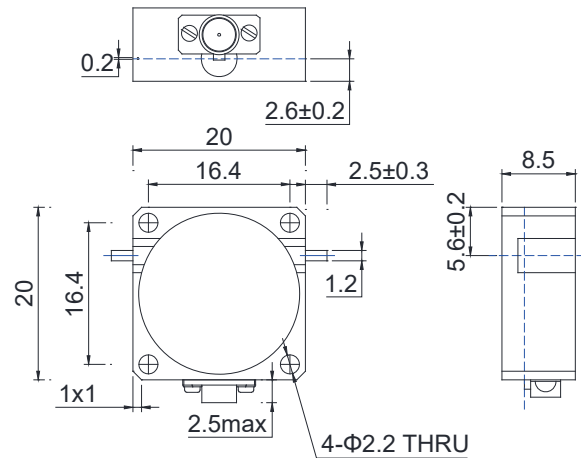
DI37



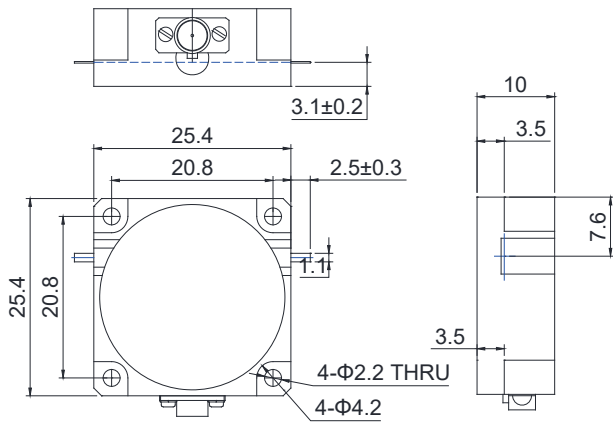
DI39



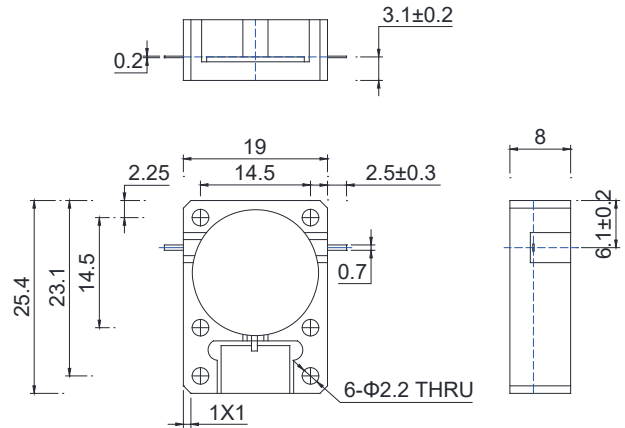
DI38



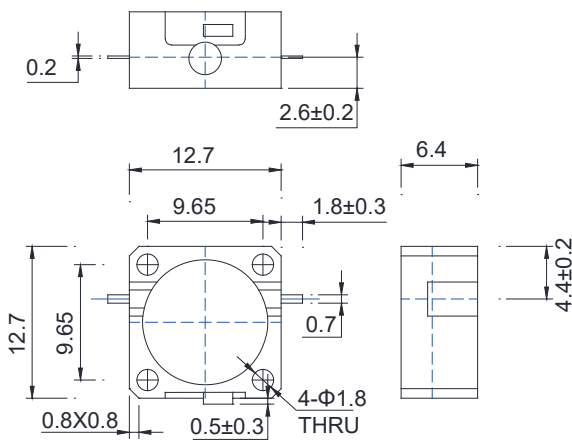
DI40



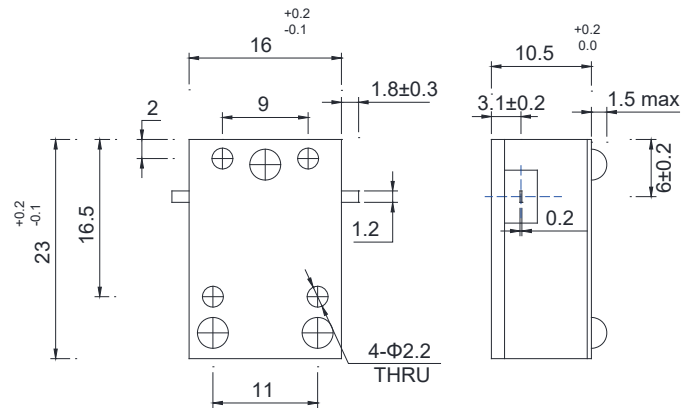
DI41



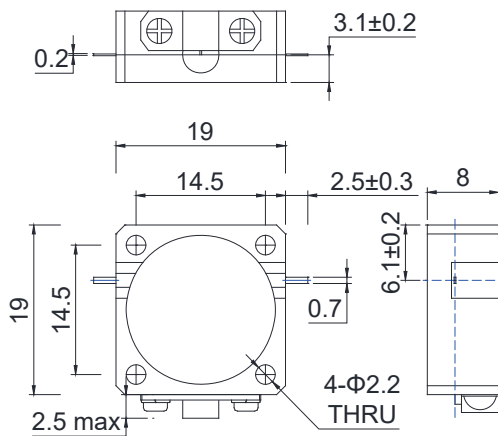
DI42



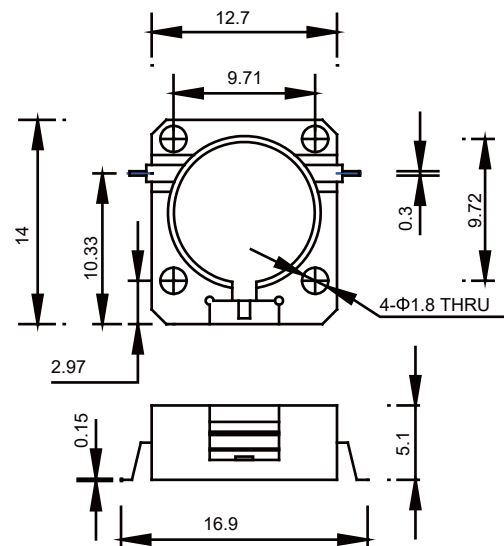
DI43



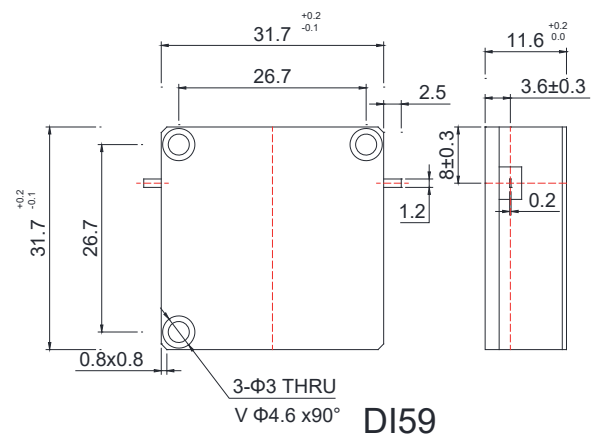
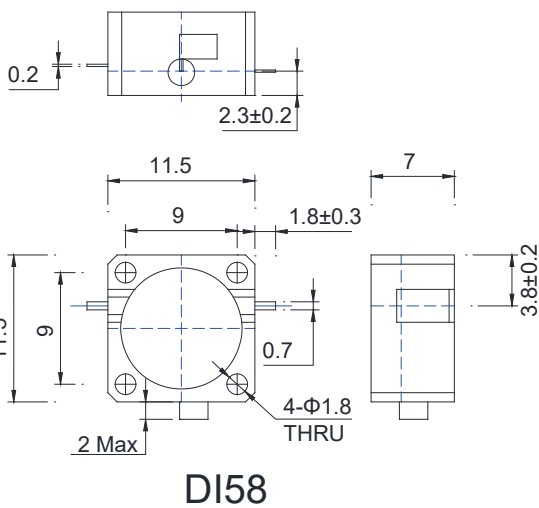
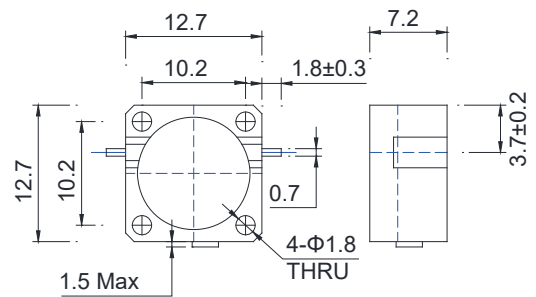
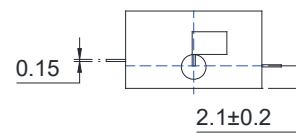
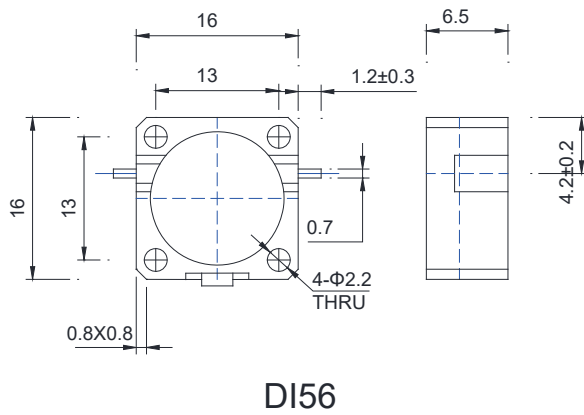
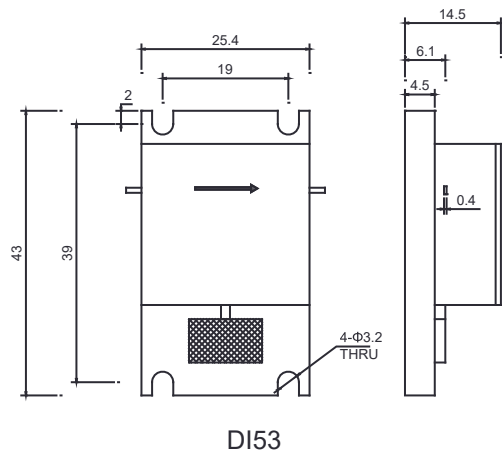
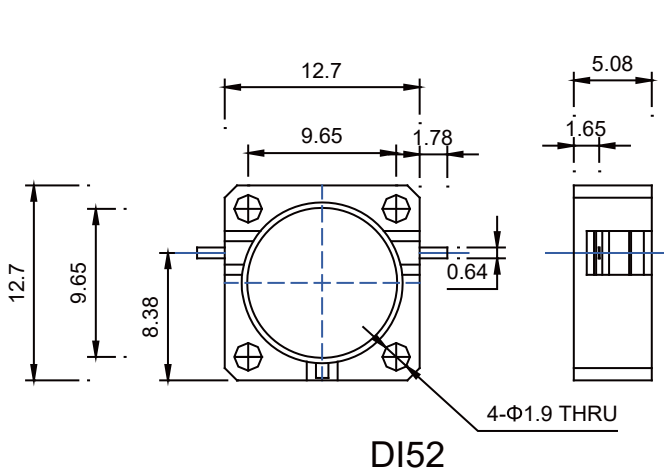
DI44

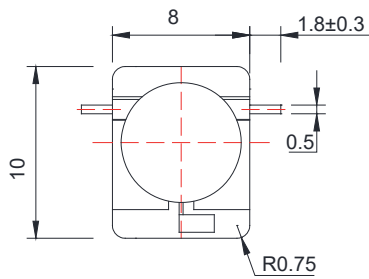
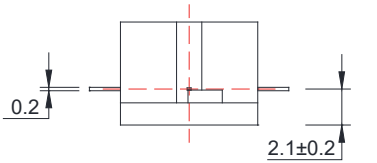


DI46

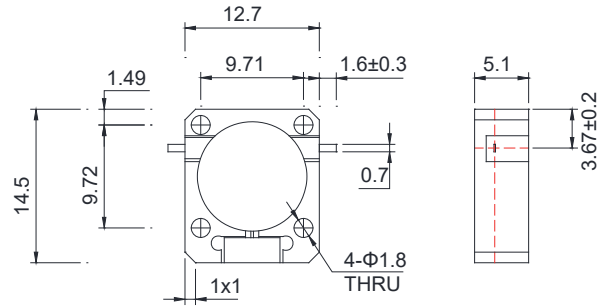
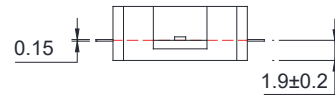


DI50

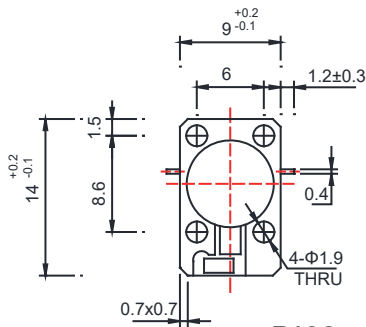
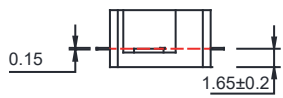




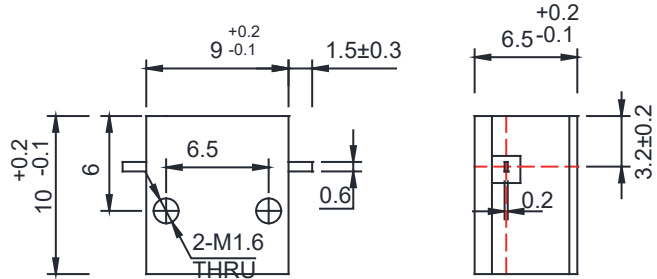
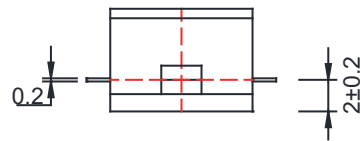
DI60



DI61



DI62



DI63